



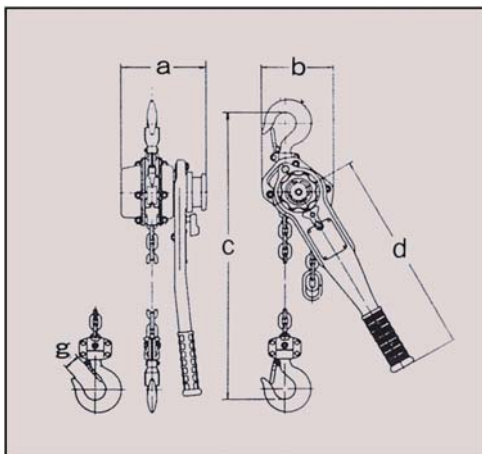
HALO

LEVER HOISTS

MAGNA[®]
LIFTING PRODUCTS



Model	LH-025	LH-075	LH-150	LH-300	LH-600	LH-900
W.L.L. (lbs.)	550	1,650	3,300	6,600	13,200	19,800
Standard Lift (ft.)	5	5	5	5	5	5
Load Chain (mm)	4 x 12	6.3 x 19.1	7.1 x 21	9 x 27	9 x 27	9 x 27
Weight (lbs.) 5 ft. lift	5.2	17.6	24.3	37.5	57.3	106
Min. Dist. Between Hooks	9.65	11.02	13	17.77	21.65	27.17
Lbs. of Pull to Lift Capacity	70	64	64	77	77	77
A (in.)	3.9	6.18	6.89	7.8	7.8	7.8
B (in.)	2.36	5.98	5.7	7.48	9.25	12.6
C (in.)	9.65	11.02	13	17.77	21.65	27.17
D (in.)	5.9	11.02	15.35	15.35	15.35	15.35
G (in.)	0.79	1.06	1.26	1.5	1.81	2.76




Product Features

- Rugged steel casing protects gears and brake mechanism.
- Gears are machined and case hardened.
- Single-hand control of free-wheel function with load brake.
- Load tested to 125% of rated capacity.
- High quality chain meets all international safety standards.
- Meets ANSI standards and is European CE certified.
- Spare parts are readily available.

Hoists are made in Korea. Chain made in Europe by RUD & Pewag.

NOTABLE USERS

Puget Sound Naval Shipyards, Burlington Northern Railroad, Union Pacific Railroad, Boeing, NASA, U.S. Department of Energy, Rocky Flats Nuclear Weapons, Hanford Spent Nuclear Fuel Project and more.

 Never Exceed Working Load Limit

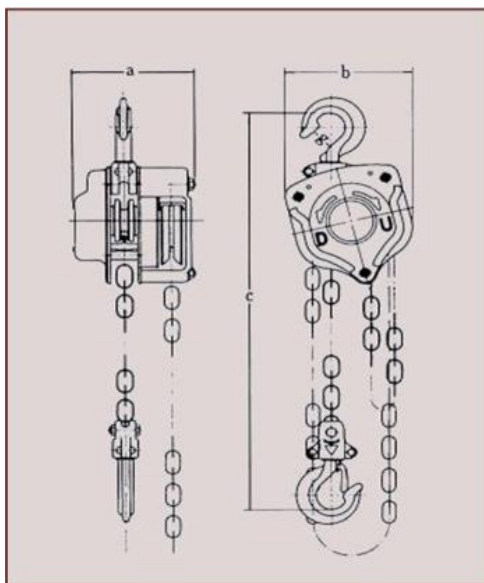


HALO

CHAIN HOISTS



Model	CH-050	CH-100	CH-150	CH-200	CH-300	CH-500	CH-1000	CH-1500	CH-2000
W.L.L. (lbs.)	1100	2200	3300	4400	6600	11000	22000	33000	44000
Standard Lift (ft.)	10	10	10	10	10	10	10	10	10
Load Chain (mm)	6.3 x 19.1	6.3 x 19.1	7.1 x 21	7.9 x 23	7.1 x 21	9 x 27	9 x 27	9 x 27	9 x 27
Hand Chain (mm)	5 x 22.8	5 x 22.8	5 x 22.8	5.5 x 23.6	5.5 x 23.6	5.5 x 23.6	5.5 x 23.6	5.5 x 23.6	5.5 x 23.6
Weight (lbs.) 10 ft. lift	24	28	31	48	51	90	172	331	419
Number of Falls	1	1	1	2	2	2	4	6	8
Min. Dist. Between Hooks (in.)	12.4	12.4	13.39	14.96	18.7	25	29.92	33.46	34.25
Lbs. Pull to Lift Capacity	53	73	75	75	77	86	90	90 x 2	90 x 2
A (in.)	5.91	5.79	5.79	7.05	5.79	7.05	7.05	8.15	8.15
B (in.)	6.06	6.18	6.85	8.03	8.11	10.35	14.45	29.68	34.37
C (in.)	12.4	12.4	13.39	14.96	18.7	25	29.92	33.46	34.25




Product Features

- Rugged steel casing protects gears and brake mechanism.
- Gears are machined and case hardened.
- Spur gear design for efficiency, portability & economy.
- Load tested to 125% of rated capacity.
- High quality chain meets all international safety standards.
- Meets ANSI standards and is European CE certified.
- Spare parts are readily available.

Hoists are made in Korea. Chain made in Europe by RUD & Pewag.

NOTABLE USERS

Puget Sound Naval Shipyards, Burlington Northern Railroad, Union Pacific Railroad, Boeing, NASA, U.S. Department of Energy, Rocky Flats Nuclear Weapons, Hanford Spent Nuclear Fuel Project and more.


 Never Exceed Working Load Limit



HALO

BEAM CLAMPS



 Never Exceed Working Load Limit

Model	BC100P	BC200P	BC300P	BC500P	BC1000P
Rated Capacity (lbs.)	2,200	4,400	6,600	11,000	22,000
Fits I-Beam Flange Width (in.)	3 thru 9	3 thru 9	3.1 thru 12.5	3.5 thru 12.5	3.5 thru 12.5
Net Weight (lbs.)	8	10	21	24	35

BEAM CLAMPS

Product Features

- Heavy duty construction
- Compact size.
- Low headroom design.
- Portable.
- Simple to install.
- Clamp jaw design applies load away from flange edge.
- Quick and easy adjustments.
- Fits wide flange beams.